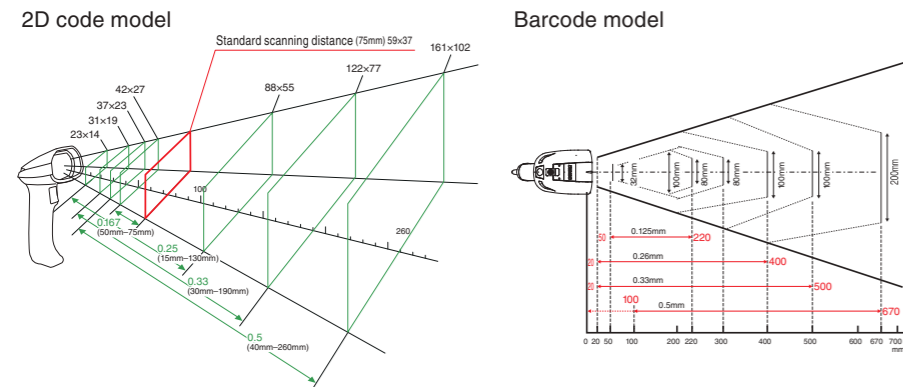


GT20 series specifications

| Type | Method | Barcode model | | 2D Code model | |
|--------------------------|--|---|----------------------------------|---|--------------|
| | | GT20B-SM (U)*1 | GT20B-SM (R) | GT20Q-SM (U)*1 | GT20Q-SM (R) |
| Scanner | Method | Advanced Scan Plus (CCD) | | Area Sensor | |
| | | 2D Code | — | QR code, Micro QR code, SQRC, iQRcode, Data Matrix (ECC200), PDF417, Micro PDF417, Maxi code, Aztec, GS1 Composite | |
| | Barcode | EAN-13/8 (JAN-13/8), UPC-A/E, UPC/EAN (with add-on), Interleaved 2 of 5 (ITF), Standard 2 of 5 (STF), CODABAR (NW-7), CODE32, CODE39, CODE93, CODE128, GS1-128 (EAN-128), GS1 Databar (RSS), MSI, Plessey | | EAN-13/8 (JAN-13/8), UPC-A/E, UPC/EAN (with add-on), Interleaved 2 of 5 (ITF), Standard 2 of 5 (STF), CODABAR (NW-7), CODE39, CODE93, CODE128, GS1-128 (EAN-128), GS1 Databar (RSS) | |
| | | Minimum resolution | — | 0.167 mm | |
| | Barcode | 0.125 mm | | | |
| | | Marker | — | Area guide marker | |
| | PCS value | not less than 0.30 | | | |
| | Angle | ±50°C | | | |
| | Skew angle | — | 360° | | |
| | Image capture | — | BMP, JPEG output, thumbnail view | | |
| Scanning confirmation | Confirmation LED (Blue, Green, Red), Buzzer (with 3-level volume control and 3-level tone control) | | | | |
| Communication interface | Method | USB | RS-232C | USB | RS-232C |
| | Connector | USB connector (A type) | Dsub-9S | USB connector (A type) | Dsub-9S |
| | Cable | 2 m | 2 m, 5 m | 2 m | 2 m, 5 m |
| Power | Supply from the connection*2 | Directed AC adaptor | Supply from the connection*2 | Directed AC adaptor | |
| Environment requirements | Protection rating | IP65 | | | |
| | Drop resistance*3 | 2.0 m x 60 times on a concrete floor | | | |
| | Operating temperature | -20~50°C | | | |
| | Operating humidity | 10 to 90% RH (without dews) | | | |
| Weight (excl. cable) | Approx. 180 g | | | | |

*1: Two methods are supported: a USB keyboard interface and a USB-COM interface. The factory default is a USB keyboard interface for GT20B and a USB-COM interface for GT20Q.
 *2: Please check the connection beforehand because this type of connection may not be possible depending on the model of the PC or USB hub.
 *3: Result obtained in a test under regular temperature is shown and not meant as a guarantee.

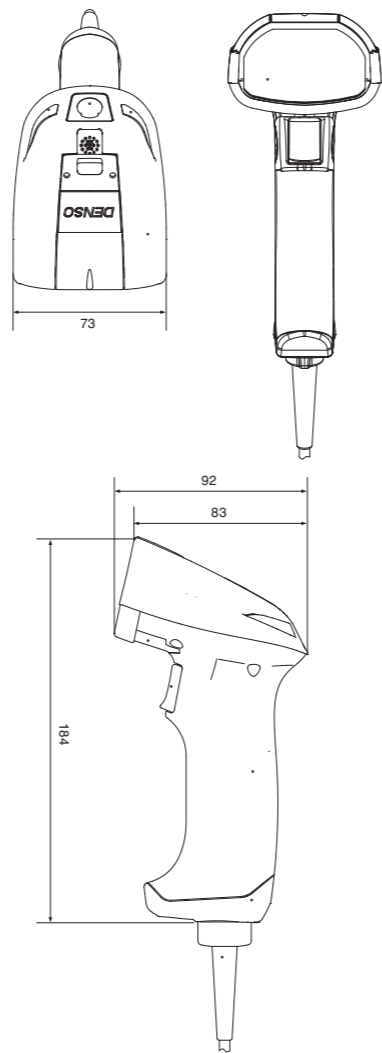
Scanning performance



Accessories

- Scanner
- Interface cable
- AC adaptor
- Operation Guide
- Instruction manual [HP](#)

Dimensions Unit: mm



Optional accessories (separately sold)

- S-GT20 (Stand)
- S-GT21 (Stand)
- H-GT10 (Hands-free stand)
- H-GT11 (Hands-free stand)
- H-GT20 (Hands-free stand)
- H-GT21 (Hands-free stand)

Software

- USB driver [Active USB-COM port driver] [HP](#)
 - Setting software [Scanner Setting (for barcode models)] [HP](#)
[Scanner Setting 2D (for 2D code models)] [HP](#)
[SQRC Setting (for 2D code models)] [HP](#)
 - Keyboard emulation software [QR_kbif] [HP](#)
- [HP](#) Items with this mark can be downloaded on our webpages for free.

NEW **GT20** SERIES



Unit 509, 5/F, Tower II, Cheung Sha Wan Plaza,
 833 Cheung Sha Wan Road, Kowloon, Hong Kong
 Tel: (852) 2784 2868/ (852) 2788 3066 Fax: (852) 2319 2967
 Email: sales@milliontech.com
 Website: www.milliontech.com

*We Create [Value]*² DENSO WAVE INCORPORATED



Constant Toughness Even under Extreme Conditions

Secure robustness



2.0m Drop impact resistance

Highest standard in the class of 2 m x 60 times
GT20 has a highly durable design to withstand strong impact, so there is nothing to worry about if you drop this scanner.



Environmental resistance

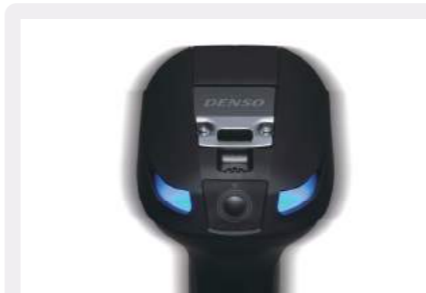
IP code rating of IP65 achieved
GT20 is recommended with confidence even in the case that it is used under severe conditions, such as at dusty or wet locations.



Operating temperature range

Between -20 and 50°C
GT20 can be used under various types of environment, such as inside cold storage chambers and semi-outdoor areas in plants, expanding the range of use for customers.

Outstanding operability



Confirmation of reading

Double LED, buzzer and vibrator incorporated
GT20 allows secure confirmation by "light," "sound" and "vibration" even in noisy conditions.



Among the most lightweight designs in its class

Lightweight body weighing 180 g
The lightweight and compact design can reduce fatigue when used for long periods. Its user-friendly body is highly durable yet lightweight.



Marker

With an area guide marker
The marker makes it easy for users to identify the reading area, enabling smooth operations.

* 2D code models only

Overwhelming reading performance



SPEED High-speed reading

Adopting a powerful reading algorithm created exclusively by the manufacturer that developed the QR Code
Smooth reading that does not cause stress on users contributes to improving work efficiency.



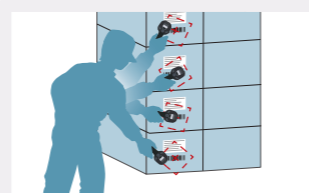
LCD screen reading

The original LED lighting control function enables smooth reading of codes displayed on a liquid crystal screen.
GT20 can read QR Codes displayed on a PC or tablet screen, expanding the range of use for customers.



Poorly printed label reading

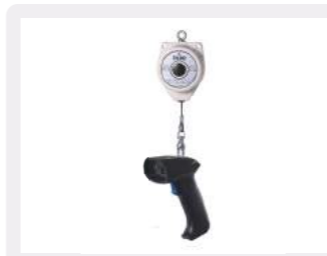
Efficient at reading dirty and blurred codes
GT20 has such a high reading performance that it can read even poorly printed codes very efficiently, so there is nothing to worry about even at a site under severe conditions where codes easily become dirty, delivering "What a high reading performance!"



360° reading

Quick operations with 360° reading
Users can carry out operations without concern as to the direction of barcodes.

* 2D code models only



Suspensible

GT20 has a hook so that it can be hung from the ceiling together with other jigs when used at plant lines, etc.
Considerations only possible by Denso Wave, expanding the range of use for customers



Code lock

The connector cover, which is resilient against becoming detached and breaking, firmly locks the cord.
The body is not the only durable part. Denso Wave paid meticulous attention to even the shape of the connector cover and achieved robustness in every detail.

Diversified functions



Magic Key

Work can become more efficient by allocating a convenient function to the Magic Key.

| | |
|---------------------------------------|--|
| Data re-transfer mode | Previously sent data is re-transferred every time the Magic Key is pressed. |
| Designated character transfer mode | Predetermined characters are sent every time the Magic Key is pressed. |
| Read code switching mode (GT20Q only) | Two predetermined read codes are alternated every time the Magic Key is pressed. |

Configuration software

Free software applications "Scanner Setting" and "Scanner Setting 2D" are included, allowing easy configuration of the reading condition, data format, etc. according to the object to be read.
These applications providing convenient functions can reduce customers' work load concerning application development.

Image capture

Image shooting possible
When a non-conforming product is detected on a plant production line, for example, the image of the product can be captured with GT20 on site and sent to its host.

Additional features!!

Point Scan Mode

GT20 can read only the targeted code indicated by the central cross even when multiple codes exist in the reading area.



Targeted reading

* 2D code models only

One-time reading of multi-row barcodes

GT20 can read a barcode with up to three rows at a time.



One-time reading

* 2D code models only

Concatenated QR Code reading

GT20 can read a concatenated QR Code at one time.



One-time reading

* 2D code models only

Equipped with data collation and edit functions Development of a dedicated application is not required

Equipped with a function to compare the registered master data with the read data
This function enables easy establishment of systems for non-conforming product checking and incorrect labeling checking. Furthermore, the simplified programming software application "ADF Script" makes it easy to edit data freely, including data sorting, extraction and conversion.

* 2D code models only