



SPK-3000

Integrated In-motion Weigh/Dimension System

The SPK-3000 Conveyorized Weighing and Dimensioning System determines accurate cube and weight data of boxes automatically and instantly.



SPK-4000(Wide conveyor type)

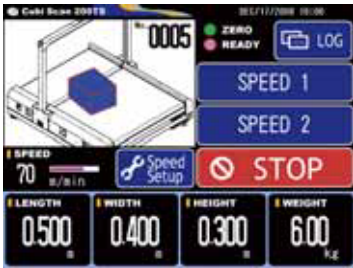


***Searching for
a New Balance***

Ideal for Logistics and Material Handling Applications !!

SPK-3000 is designed to measure and weigh cuboidal and non-cuboidal items in any orientation, suitable for high-volume distribution, warehousing, freight manifesting and other transportation applications.

Large TFT Color Touch Panel for Better User Interface



High Speed and Accurate Weighing and Dimensioning

Conveyor Speed : 70m/min.
Throughput : Max 3,500 packages /hour (if the item length is 50cm)

Large TFT Color Touch Panel Display

8.4" Color TFT Display guides the operator to perform simple, smooth and efficient operation. Operating statistics and diagnostic information are provided through this touch panel display.

Angle Correction Function

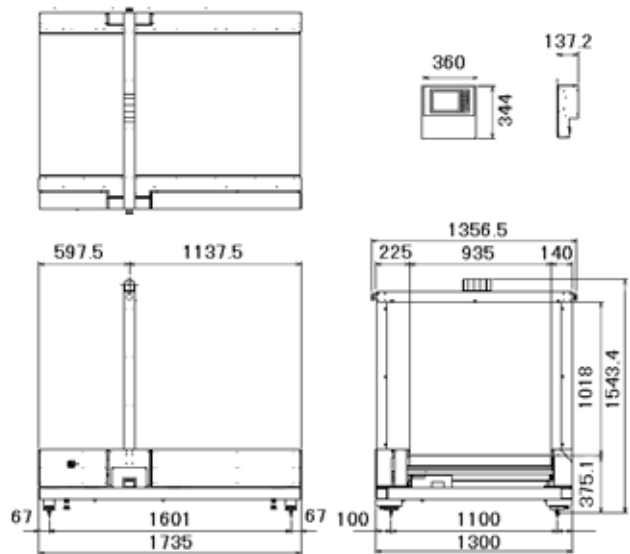
Even items slantingly fed onto the conveyor, the dimensions of each item is measured accurately with "Auto Angle Correction Logic" newly developed by DIGI.

Data output in Metric or Imperial units

Specifications (SPK-3000)

Measuring	Length	15 - 153cm	6 - 60inches
	Width	10 - 90cm	4 - 35.4 inches
	Height	6 - 92cm	2.4 - 36inches
	Increment	0.5cm	0.2inches
	Measuring Device	Photo Sensor	
	Weighing	Capacity	5/50kg
Increment		0.05/0.1kg	0.1/0.2lb
Weighing Device		Load cell	
Conveyor Speed	30-70m/min (variable)	100-230ft/min (variable)	
Minimum Package interval	70cm 28inches		
Operating Temperature	0 - 40°C 32 - 104°F		
Interface	RS232C/RS-422 Option/ Ethernet		
Net Weight	Approx.360kg		
Operating Voltage	AC200-220V(3 φ)		
Power Consumption	300VA		

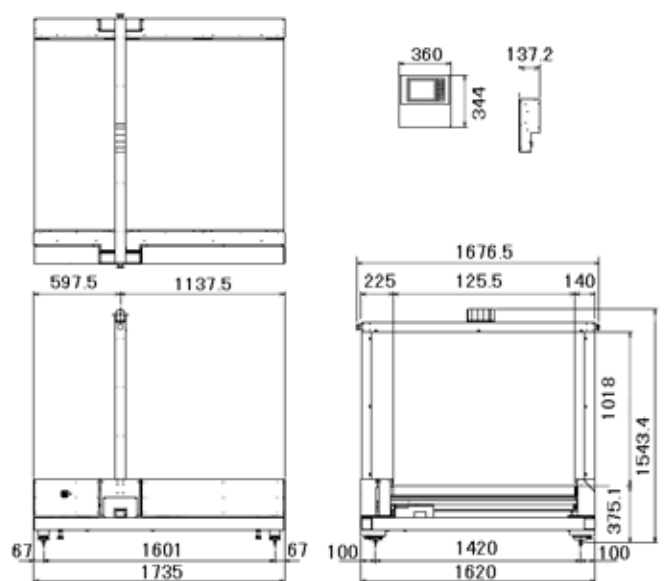
Dimensions (SPK-3000)



Specifications (SPK-4000)

Measuring	Length	15 - 153cm	6 - 60inches
	Width	10 - 122cm	4 - 48 inches
	Height	6 - 92cm	2.4 - 36inches
	Increment	0.5cm	0.2inches
	Measuring Device	Photo Sensor	
	Weighing	Capacity	5/50kg
Increment		0.05/0.1kg	0.1/0.2lb
Weighing Device		Load cell	
Conveyor Speed	30-70m/min (variable)	100-230ft/min (variable)	
Minimum Package interval	70cm 28inches		
Operating Temperature	0 - 40°C 32 - 104°F		
Interface	RS232C/RS-422 Option/ Ethernet		
Net Weight	Approx.400kg		
Operating Voltage	AC 200-220V(3 φ)		
Power Consumption	300VA		

Dimensions (SPK-4000)



Contact Us: If you have further enquiries, please contact us for more information & discussion.

Million Tech Development Limited



Address: Unit 509, 5/F, Tower II, Cheung Sha Wan Plaza, 833 Cheung Sha Wan Road, Kowloon, Hong Kong

General Line: (852) 2788 3306

F a x : (852) 2319 2967

Website: <https://milliontech.com>

Sales Enquiry: (852) 2784 2868

Email: sales@milliontech.com

Service Hotline: (852) 2784 2888

Email: helpdesk@milliontech.com