

TM-561

Table Measure

Easy
Accurate
Skill-Independent

Item Registration
Storage Control
Picking Check
Shipping Preparation



JQA-2834
TSUKUBA



TECO
ISO 14001:2004
ER-00130

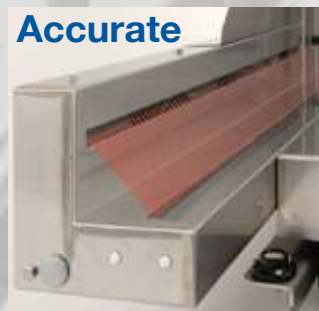
Just place the objects at the right position, and you get the right measurements.



Easy

Place & Scan only.

Accurate



Precise measurements guaranteed with most reliable "On/off Light Scale".



As the edge caught exactly, the dimension taught correctly.

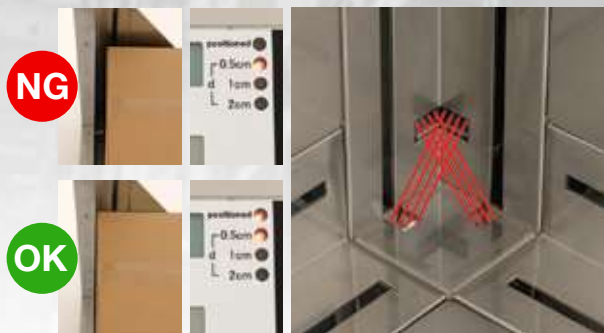


Stainless Body

Data Interfaces



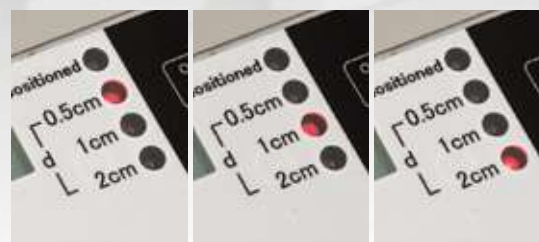
Skill-Independent



Independent on human skill.

Behind is "Corner Checker", guiding operators to errorless results.

Selectable dimensional resolutions

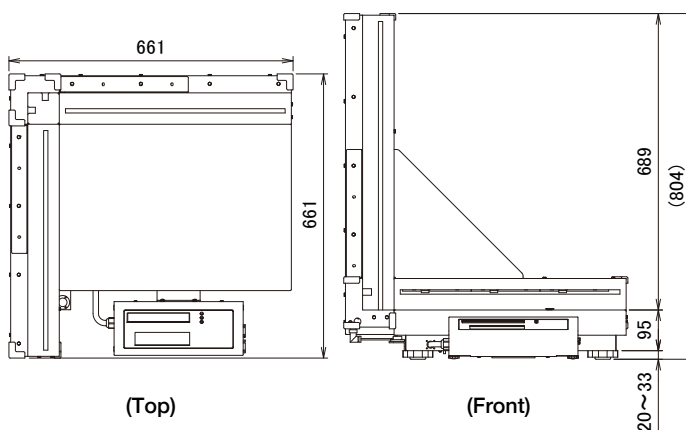


Specifications

Model	TM-561
	L:56.5cm
Max Dimensional Capacity	W:56.5cm (+16cm*) H:63.5cm (+32cm*)
Dimensional Resolution	0.5cm/1cm/2cm
Weight Capacity	50kg
Weight Resolution	0.05kg/0.01kg
Interfaces	Output PC port, BCR Input port
Power Supply	100 to 230 V AC 50/60 Hz
Operating Temperature	0°C to +40°C, non-cendensing

*Expandable as option

Dimensions



Contact Us: If you have further enquiries, please contact us for more information & discussion.

Million Tech Development Limited

Address: Unit 509, 5/F, Tower II, Cheung Sha Wan Plaza, 833 Cheung Sha Wan Road, Kowloon, Hong Kong

General Line: (852) 2788 3306
Sales Enquiry: (852) 2784 2868
Service Hotline: (852) 2784 2888

F a x : (852) 2319 2967
Email: sales@milliontech.com
Email: helpdesk@milliontech.com

Website: <https://milliontech.com>

