



# SPK-3000

## Integrated In-motion Weigh/Dimension System

The SPK-3000 Conveyorized Weighing and Dimensioning System determines accurate cube and weight data of boxes automatically and instantly.



SPK-4000(Wide conveyor type)

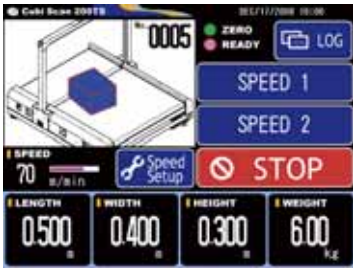


***Searching for  
a New Balance***

# Ideal for Logistics and Material Handling Applications !!

SPK-3000 is designed to measure and weigh cuboidal and non-cuboidal items in any orientation, suitable for high-volume distribution, warehousing, freight manifesting and other transportation applications.

## Large TFT Color Touch Panel for Better User Interface



## High Speed and Accurate Weighing and Dimensioning

Conveyor Speed : 70m/min.  
Throughput : Max 3,500 packages /hour (if the item length is 50cm)

## Large TFT Color Touch Panel Display

8.4" Color TFT Display guides the operator to perform simple, smooth and efficient operation. Operating statistics and diagnostic information are provided through this touch panel display.

## Angle Correction Function

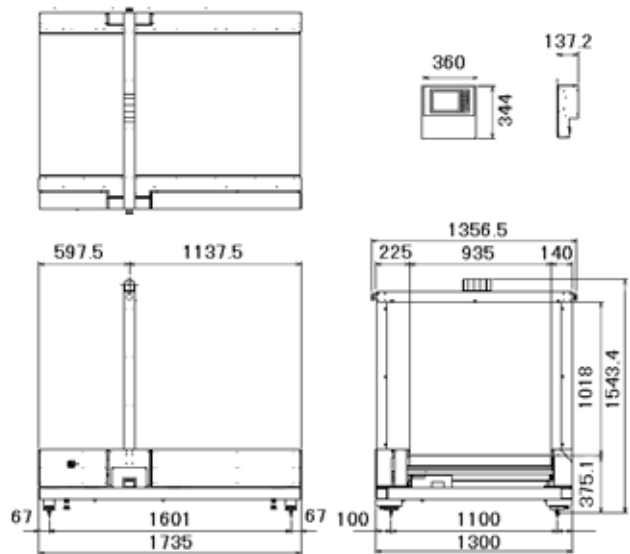
Even items slantingly fed onto the conveyor, the dimensions of each item is measured accurately with "Auto Angle Correction Logic" newly developed by DIGI.

## Data output in Metric or Imperial units

## Specifications (SPK-3000)

Measuring	Length	15 - 153cm	6 - 60inches
	Width	10 - 90cm	4 - 35.4 inches
	Height	6 - 92cm	2.4 - 36inches
	Increment	0.5cm	0.2inches
	Measuring Device	Photo Sensor	
Weighing	Capacity	5/50kg	10/110lb
	Increment	0.05/0.1kg	0.1/0.2lb
	Weighing Device	Load cell	
Conveyor Speed		30-70m/min (variable)	100-230ft/min (variable)
Minimum Package interval		70cm	28inches
Operating Temperature		0 - 40	32 - 104' F
Interface		RS232C/RS-422 Option/ Ethernet	
Net Weight		Approx.360kg	
Operating Voltage		AC200-220V(3 )	
Power Consumption		300VA	

## Dimensions (SPK-3000)



## Specifications (SPK-4000)

Measuring	Length	15 - 153cm	6 - 60inches
	Width	10 - 122cm	4 - 48 inches
	Height	6 - 92cm	2.4 - 36inches
	Increment	0.5cm	0.2inches
	Measuring Device	Photo Sensor	
Weighing	Capacity	5/50kg	10/110lb
	Increment	0.05/0.1kg	0.1/0.2lb
	Weighing Device	Load cell	
Conveyor Speed		30-70m/min (variable)	100-230ft/min (variable)
Minimum Package interval		70cm	28inches
Operating Temperature		0 - 40	32 - 104' F
Interface		RS232C/RS-422 Option/ Ethernet	
Net Weight		Approx.400kg	
Operating Voltage		AC 200-220V(3 )	
Power Consumption		300VA	

## Dimensions (SPK-4000)

