

SRP-F310II

3 inch POS Printer



Retail



Healthcare & Pharmacy



Post & Parcel



Warehouse & Storage Handling

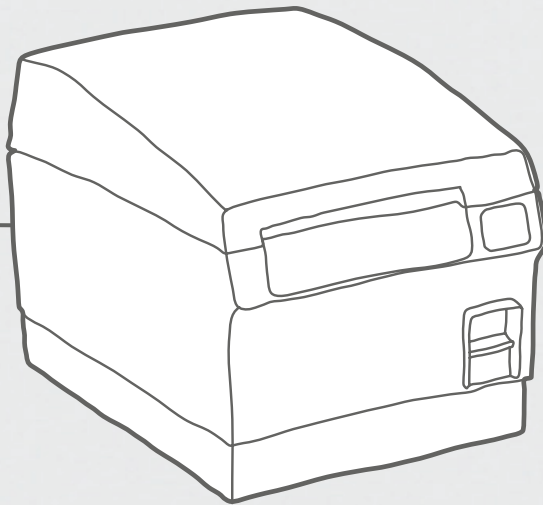
Experience a truly Waterproof



Compatible with



Made for iPod iPhone iPad



Dual layers for water protection



Environmental Endurance

- Liquid-Barrier™ creates real waterproof and dustproof solution (IP12 certified)
- Built-in power supply for space saving and water protection



Ensuring Business Continuity

- High reliability of 250 km TPH with its auto cutter guaranteed up to 3 million cuts
- Faster printing speed of up to 350 mm/sec (29% faster than SRP-F310)
- All in one Plus™ Interface:
Built-in USB V2.0 & Ethernet + Optional Serial, Parallel, Powered USB, Bluetooth or WLAN

Built-in power supply



Low TCO

- Paper save mode supported
- Eco-friendly low power consumption technology adopted
- Energy star certified



350 mm/sec

BIXOLON
a Better Solution for your Business™

SRP-F310II

3 inch POS Printer

Specifications

Printer Specifications

Print Method

Direct Thermal (Front Exit)

Print Speed

350 mm/sec

Print Resolution

SRP-F310II: 180 dpi (512 dots)

SRP-F312II: 203 dpi (576 dots)

SRP-F313II: 203 dpi (640 dots)

Print Width

SRP-F310II: Up to 72 mm

SRP-F312II: Up to 72 mm

SRP-F313II: Up to 80 mm

Sensor

Paper End, Paper Near End, Cover Open

Media Characteristics

Media Type

Receipt

Media Width

80 / 83 mm

Media Roll Diameter

Up to 105 mm

Media Thickness

0.062 ~ 0.075 mm

Supply Method

Easy Paper Loading

Physical Characteristics

Dimensions (WxLxD)

154 x 203 x 148 mm

(6.06 x 7.99 x 5.82 inch)

Weight

2.00 kg (4.40 lbs.)

Power

EnergyStar Certified,

External Power Adaptor 100-240V AV, 50/60Hz

Drawer Port

2 ports (Via y-type adaptor)

Performance Characteristics

Memory

64 Mbit SDRAM, 32 Mbit FlashROM

NV Image Memory

768 Kbytes (Mono)

Receive Buffer

4Kbytes

User Define Buffer

12Kbytes

Interface

Triple Interface

Built-in USB V2.0 & Ethernet + Optional Serial, Parallel, Powered USB, Bluetooth or WLAN*

* WLAN: 802.11b/g/n

** Bluetooth: Class 1 (100 m), MFi certified

Environment Characteristics

Temperature

Operating: 0 ~ 40°C (32 ~ 104°F)

Storage: -20 ~ 60°C (-4 ~ 140°F)

Humidity

Operating: 10 ~ 80% RH

Storage: 10 ~ 90% RH

Reliability

Thermal Print Head (TPH)

250 km ***

Auto Cutter

3 Million Cuts ***

***** Specified Paper**

- TF50KS-E (Paper thickness: 65µm)

: Nippon Paper industries Co., Ltd.

- PD 150R (Paper thickness: 75µm)

: New Oji Paper Mfg, Co., Ltd

- PD 160R (Paper thickness: 75µm)

: New Oji Paper Mfg, Co., Ltd.

- P350 (Paper thickness: 62µm)

: Kansaki Specialty Paper, Inc. (USA)

Software

Emulation

BXL / POS

Driver

Windows Driver, OPOS Driver, JPOS Driver,

Linux / Mac CUPS Driver,

Virtual COM USB/Ethernet Driver, Utility Program

SDK

iOS SDK, Android SDK

Fonts / Graphics / Symbologies

Character Size

Font A: 12 x 24 Font B: 9 x 17 Font C: 9 x 24

KOR, CHN, JPN: 24 x 24

Characters Per Line

SRP-F310II: Font A: 42 Font B, C: 56

KOR, CHN, JPN: 21

SRP-F312II: Font A: 48 Font B, C: 64

KOR, CHN, JPN: 24

SRP-F313II: Font A: 53 Font B, C: 71

KOR, CHN, JPN: 26

Character Sets

Alphanumeric: 95

Expanded Graphics: 128 x 33 page

International: 32

Graphics

Supporting User-Defined Fonts, Graphics,

Formats, and Logos

Barcode Symbologies

1D: Coda Bar, Code39, Code93, Code128, EAN-8,

EAN-13, ITF, UPC-A, UPC-E

2D: Data Matrix, PDF417, QR Code



BR-SRP-F310II-EN-FEB16-V2

Copyright © BIXOLON Co., Ltd. All rights reserved. Features and specifications are subject to change without prior notice.

BIXOLON®

MillionTECH
Development Ltd.

Unit 509, 5/F, Tower II, Cheung Sha Wan Plaza,
833 Cheung Sha Wan Road, Kowloon, Hong Kong
Tel: (852)2788 3306/ 2784 2868 Fax: (852) 2319 2967
Email: sales@milliontech.com
Website: www.milliontech.com

We Create Value!

